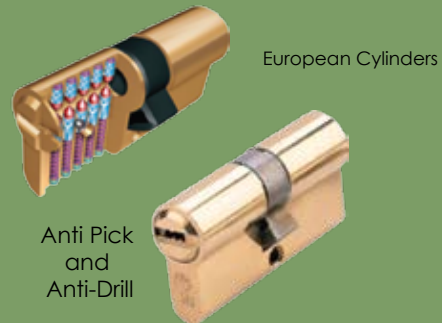


4-POINT MORTISE LOCK

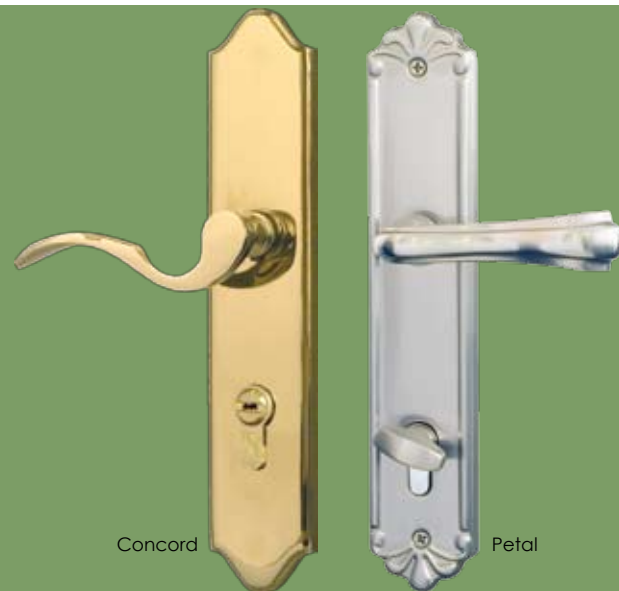


European Cylinders

Anti Pick
and
Anti-Drill



Four reversible nickel silver keys



Concord

Petal



Oil Rubbed handle set available only in polish brass and satin nickel backset plate.

Copyright © 2009 Household Metals, Inc.
SafeGuard™ is a trademark of Household Metals, Inc.

THE ULTIMATE BURGLAR RESISTANT

12-POINT LOCKING SYSTEM

Exclusively DISTRIBUTED BY SAFEGUARD™ DOORS

Distributed by:



645 E. Erie Ave.
Philadelphia P.A. 19134
800-343-2610
www.hmidoors.com

SAFEGUARD'S 12-POINT LOCKING SYSTEM

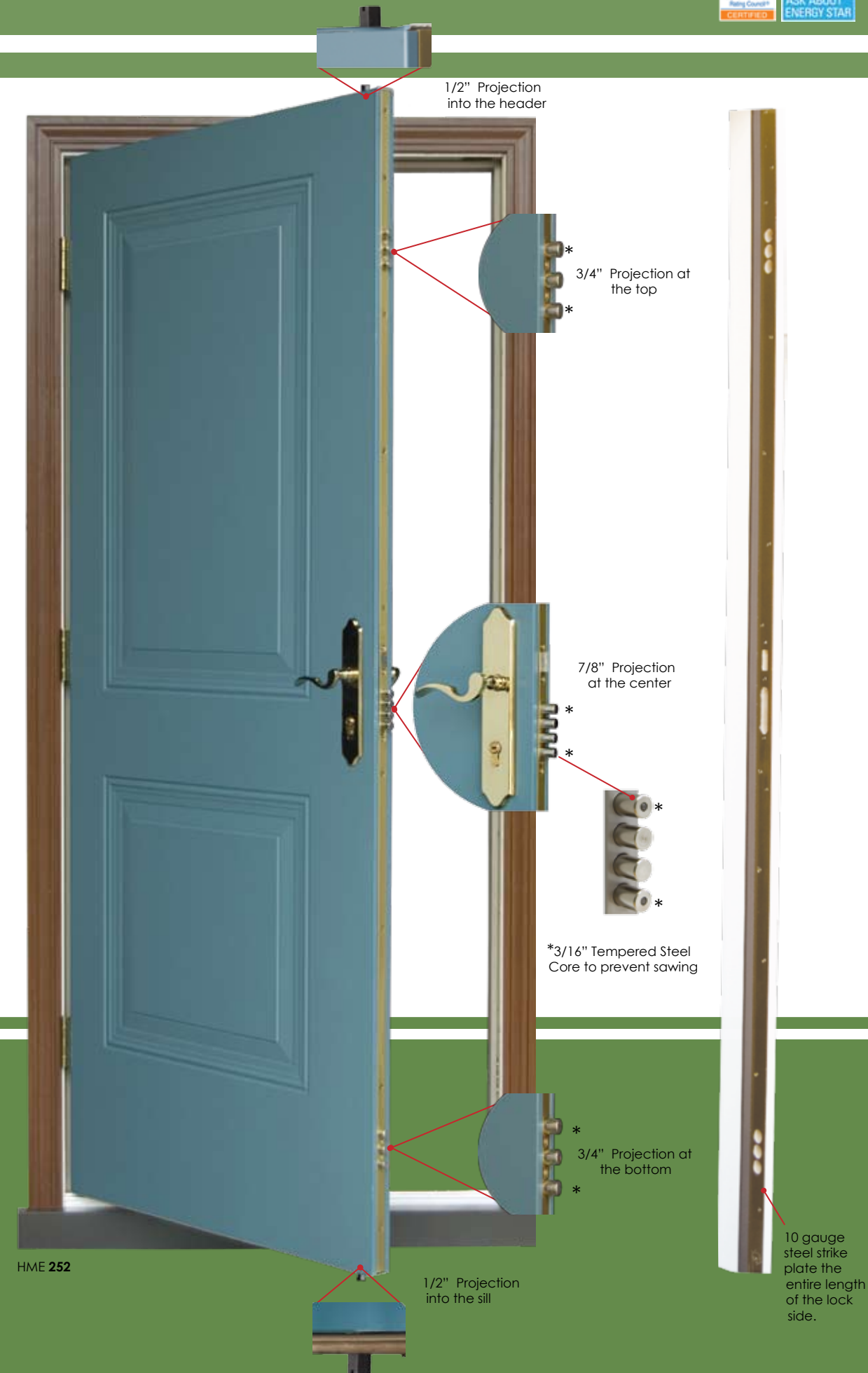


Home is our safe shelter

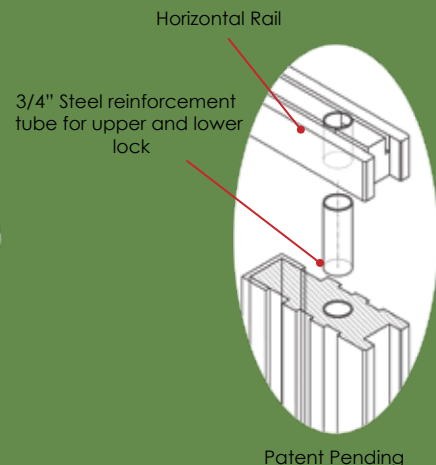
It is a place where we find comfort. It protects our possessions, but more importantly it protects our family members and us. Unfortunately, many homes are not as safe as the owner's think:

- Every 14 seconds a home is burglarized.
- More than 50 percent of all residential burglaries, entry is gained through a door.
- High quality 20 gauge steel doors, locks and key control are your first line of defense against a break-in.
- If you have a standard key, it can be copied at any hardware store. **Ezcurra** security keys can only be duplicated through SafeGuard™ Doors by using a supplied security key card.
- With **Ezcurra** you don't have to worry that someone has a key that you don't know about, and who might use it to unlock your door.

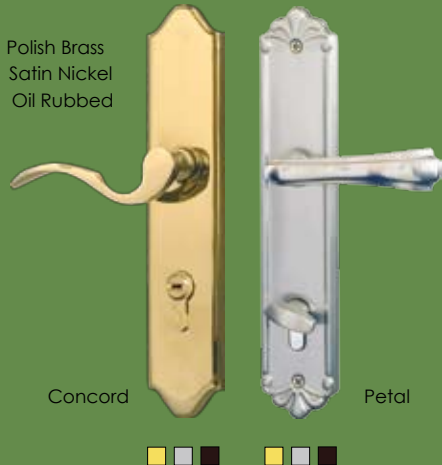
- Burglary Resistant - High quality locks protect you, your loved ones, and your possessions
- Twelve points of contact, ten horizontal backsets, two vertical backsets
- * • Six of the deadbolts are inserted with tempered steel pins to prevent sawing
- Cylinders are drill proof by tempered steel pins
- Anti - picklock profile
- Cylinders have double pin rows on both sides, this coupled with an extra locking device on the side, makes these cylinders highly sophisticated
- Optional anti-panic hardware available
- Concealed, tamper-proof deadbolts leaving a flush door surface
- Fire rated
- Lifetime mechanical warranty
- Beautifully designed handlesets to compliment any style entrance
- Single or double cylinder located at the handle for easy access and fast exit
- If keys are lost, only the cylinder would need to be changed
- Available for doors up to 96"
- Available in replacement and new construction
- Locks are factory installed (only handles installed on-site)



4 1/4" Finger joint lock block the entire length of the lock side



- Polish Brass
- Satin Nickel
- Oil Rubbed



14 gauge reinforcement U-channel the entire length of the lock side.